

## Universal Testing Type Accelerometer

### DETAILS

CXXA01 series charge uniaxial acceleration sensor, using piezoelectric ceramic shear structure, with wide band frequency response, low sensitivity temperature response characteristics, high quality piezoelectric ceramics with long-term stability can ensure years of accurate measurement. The housing is laser welded stainless steel for high sealing grade and strength, with M5 mounting threads on the bottom.

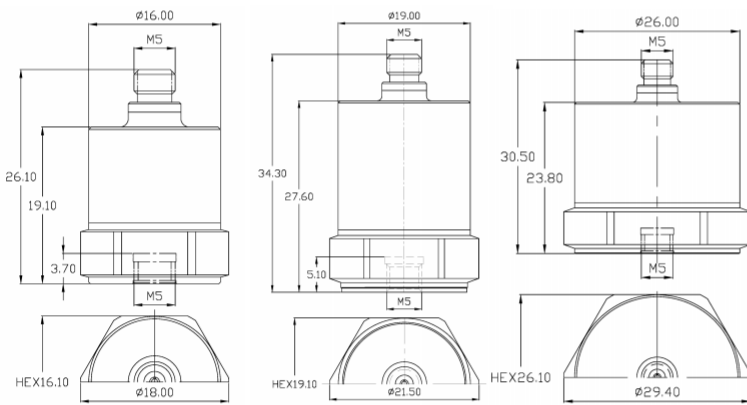
### FEATURES

- Charge-type Universal Acceleration Sensor
- Standard series with multiple range options
- Shear structure
- Broadband response

### TYPICAL APPLICATIONS

- Modal analysis
- Vibration control
- General vibration monitoring

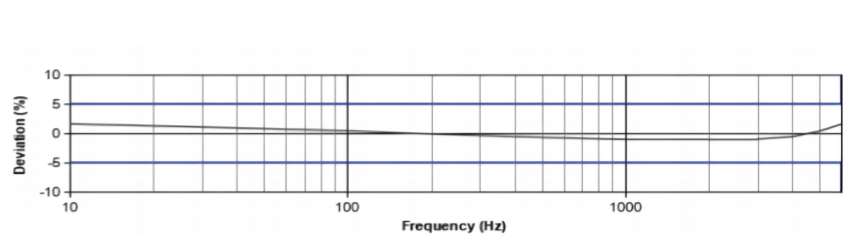
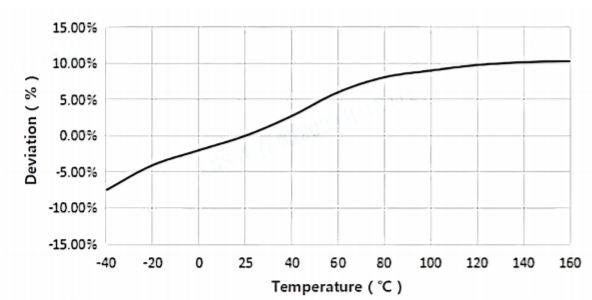
Fig\_1 Dimensions of CXXA01



CXXA01

Fig\_2 Typical Temperature Response

Fig\_3 Typical Frequency Response



## Specifications-CXXA01

MODEL NUMBER		UNIT	C06A01	C08A01	C10A00
<b>PERFORMANCE</b>					
Sensitivity <sup>1</sup>		pC/g	100	300	1000
		pC/(m/s <sup>2</sup> )	10	30	100
Measurement Range		g	±500	±200	±50
Non-Linearity <sup>3</sup>		%	1		
Frequency Range	± 5%	Hz	0.5-5k	0.5-3k	0.5-1.5k
	±10%		0.3-6k	0.3-4k	0.3-2k
Resonance Frequency <sup>2</sup>		Hz	≥22k	≥16k	≥8k
Discharge Time Constant <sup>2</sup>		s	-		
Transverse Sensitivity		%	≤5		
<b>ELECTRICAL</b>					
Capacitance		PF	2400	2300	2300
Resistance		Ω	≥1×10 <sup>11</sup>	≥1×10 <sup>11</sup>	≥1×10 <sup>11</sup>
Electrical Isolation		Ω	-	≥1×10 <sup>8</sup>	-
<b>ENVIRONMENTAL</b>					
Sinusoidal Vibration Limit <sup>4</sup>		g	800	500	200
Shock Limit <sup>4</sup>		g	1500	800	600
Temperature Range		°C	-40-160		
		°F	-40-320		
Temperature Response <sup>2</sup>		%/°C	0.08		
<b>PHYSICAL</b>					
Sealing		-	Laser welding IP68		
Sensing Element		-	Piezoelectric ceramics		
Housing Material		-	Stainless steel		
Size	mm		HEX 16.1×26.1	HEX 19.1×34.3	HEX 26.1×30.5
	in		HEX 0.634×1.028	HEX 0.752×1.350	HEX 1.028×1.201
Electrical Connector		-	M5 Top (Opt. 10-32)		
Mounting Thread		-	M5 (Opt. 10-32)		
Weight <sup>2</sup>	g		27	54	130
	oz		0.952	1.905	4.586

## Additional Information

### Note:

- @ 160Hz, 1g
- Typical values
- JBT 6822-2018 7.12.1 Vibration Testing Method
- References the mechanical structure of the sensor not being damaged in a non powered state, rather than in a working state

### CXXA01

Supplied Accessories:

- Product Verification Report
- Install Screws

### OPTIONAL VERSIONS

- A: 10-32 Output Connector
- E: 10-32 Mounting Threads

### COMPLIANCE WITH STANDARDS



### LNS Intelligent Technology Co., Ltd

NO.3 Building  
Qilu High-Tech District, Qihe, Dezhou  
Shandong Province, China 251100  
+86-0534-2150417

International:

9620 NE Tanasbourne Dr Ste 300  
Hillsboro, OR, USA 97124  
+1-503-208-5512  
info@lnsdynamics.com