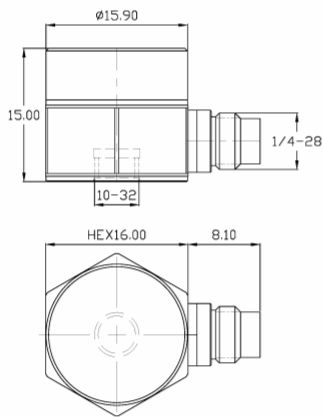


Universal Testing Type Accelerometer

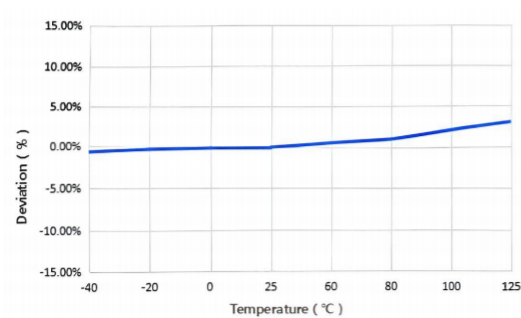
DETAILS

The single-axis capacitive acceleration sensor type AXXD06 utilizes a variable capacitive MEMS sensitive element. The sensitive element consists of a very small inertial mass and a flexure element. The mass is deflected under acceleration and the capacitance changes. The AC excitation and modulation-demodulation circuitry contained within the internal internal circuitry of the sensor outputs an analog output voltage signal proportional to the acceleration. Sensitive components and circuitry are encapsulated within a titanium alloy housing, 1/4-28 four-prong connector output, and signal ground is isolated from the housing. Withstands 10,000g shock.

Fig_1 Dimensions of AXXD06



Fig_2 Typical Temperature Response



FEATURES

- Zero frequency voltage output type
- Large range, wide frequency response, high shock resistance
- Low power consumption, low noise, high resolution
- Broadband response

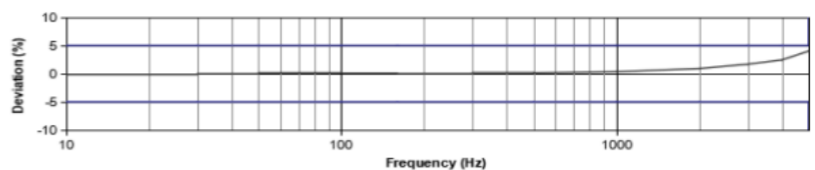
TYPICAL APPLICATIONS

- Road spectrum testing
- Overload testing
- Foundation building structure testing
- Low frequency testing



AXXD06

Fig_3 Typical Frequency Response



Specifications-AXXD06

MODEL NUMBER	UNIT	A01D06	A02D06	A03D06	A05D06	
PERFORMANCE						
Sensitivity ¹	mV/g	4	10	20	40	
	mV/(m/s ²)	0.4	1	2	4	
Input Range	g	±500	±200	±100	±50	
Non-Linearity (typ) ²	%	0.25		0.1		
Non-Linearity (max) ²	%	0.3				
Frequency Range	± 5%	Hz	0-5k	0-5k	0-4k	0-4k
	±10%		0-8k	0-6k	0-5k	0-5k
Resonance Frequency ³	Hz	41k	24k	21k	21k	
Transverse Sensitivity	%	≤1.5				
Output Mode	-	Single-ended				
ELECTRICAL						
Excitation Voltage	V DC	6-30				
Full Range Voltage	V	±4				
Output Impedance	Ω	≤90				
ENVIRONMENTAL						
Sinusoidal Vibration Limit ⁴	g rms	10000	10000	10000	10000	
Shock Limit ⁴	g pk	10000	10000	10000	10000	
Temperature Range	°C	-40~125				
	°F	-40~257				
PHYSICAL						
Sealing	-	Laser welding IP68				
Sensing Element	-	MEMS Chip				
Housing Material	-	Titanium alloy				
Size	mm	HEX 16.00×15.00				
	in	HEX 0.630×0.591				
Electrical Connector	-	1/4-28 4-pin Side				
Mounting Thread	-	M5				
Weight ⁵	g	10.2				
	oz	0.360				

Additional Information

Note:

1. @ 160Hz, under the condition of 23 °C± 5 °C
2. JBT 6822-2018 7.12.1 Vibration Testing Method
3. Typical values
4. It refers to the mechanical structure of the sensor not being damaged in a non powered state, rather than in a working state

AXXD06

Supplied Accessories:

- Product Verification Report
- Install screws

COMPLIANCE WITH STANDARDS



LNS Intelligent Technology Co., Ltd

N0.3 Building
Qilu High-Tech District, Qihe,Dezhou
Shandong Province, China 251100
+86-534-2150417

International:

9620 NE Tanasbourne Dr Ste 300
Hillsboro, OR, USA 97124
+1-503-208-5512
info@lnsdynamics.com